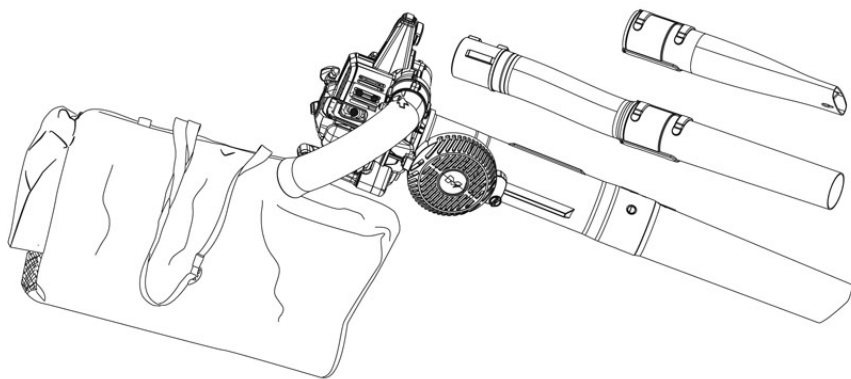


TITAN

Petrol Blower Vacuum (25.4 cm³)

Original Instructions – TTBVP25-2_V10322



TTBVP25-2

EAN: 5059340256351

BX220IM/B3



WARNING: Read the instruction handbook thoroughly before using the machine!

Let's get started...

These instructions are for your safety. Please read through them thoroughly before use and retain them for future reference.



Getting Started... 02

Safety information	03
Your machine	13
Technical specification	15
Before you start	16
Quick start	27



In more detail... 29

Machine functions	29
Operation	29
Care and maintenance	37
Troubleshooting	46
Recycling and disposal	47
Guarantee	48
Customer care and technical helpline	49
Availability of spare parts	50
UK declaration of conformity	51
EU declaration of conformity	52

Safety warnings

IMPORTANT READ CAREFULLY BEFORE USE KEEP FOR FUTURE REFERENCE

- > This machine is not intended for use by children and persons with reduced physical, sensory or mental capabilities, or lack of experience and knowledge.
- > Children should be supervised to ensure that they do not play with the machine.



WARNING! Your safety and the safety of others is very important. Of course, it is not practical or possible to warn you about all the hazards associated with operating or maintaining this machine. At all times you must use your own good judgment.

Training

Read the instructions carefully. Be familiar with the controls and the proper use of the machine.

Petrol powered blower vacuum safety warnings

- > Read all instructions carefully. Be familiar with the controls and the proper use of the machine.
- > Never allow children, persons with reduced physical, sensory or mental capabilities or lack of experience and knowledge or people unfamiliar with these instructions to use the machine. Local regulations can restrict the age of the operator.
- > Keep children, other bystanders and pets away from the machine while operating.
- > The operator or user is responsible for accidents or hazards occurring to other people or their property.
- > While operating the machine always wear substantial footwear and long trousers. Do not operate the machine when barefoot or wearing open sandals. Avoid wearing clothing that is loose fitting or that has hanging cords or ties.
- > Do not wear loose clothing or jewellery that can be drawn into the air inlet. Keep long hair away from the air inlets.
- > Operate the machine in a recommended position and only on a firm, level surface.
- > Do not operate the machine on a paved or gravel surface where ejected material could cause injury.
- > Before using, always visually inspect to see, that the shredding means and other fasteners are secure and the housing is undamaged. Replace worn or damaged components in sets to preserve balance. Replace damaged or unreadable labels.
- > Running this machine in a confined or badly ventilated area can result in death due to asphyxiation or carbon monoxide poisoning. The machine is for outdoor use only.

- > Take extreme care in wet and freezing weather conditions. Do not work in rain, windy or stormy weather.
- > Wear a dust mask. The use of this machine can generate exhaust gases, lubrication oil mist and dust containing chemicals known to cause respiratory damage.
- > Wear slip-resistant footwear, snug-fitting clothing, protective gloves, eye or face and hearing personal protective equipment (PPE).
- > The machine is extremely noisy when in use. Wear hearing protection at all times while operating the machine.
- > Always visually check the machine before use.
- > Do not attempt to tackle any job that you are not adequately trained for.
- > Do not operate the machine if it has faulty safety equipment or damaged parts.
- > Do not under any circumstances modify the machine. Modifications can result in serious personal injury or death.
- > All machine servicing and maintenance, other than the items listed in this manual, should be performed by an authorised service centre.
- > First time user should have practical instruction in the use of the machine and protective equipment from an experienced operator.
- > National regulation can restrict the use of the machine.

Clothing and personal protective equipment (PPE)

- > Secure long hair so that they are above the shoulder level.
- > Do not wear loose fitting clothing or jewellery as those could be drawn into the engine or the openings.
- > Use the following safety clothing and personal protective equipment (PPE) when operating the machine:
 - Wear hearing/ear protection (compliant to EN 352-1)
 - Wear eye protection (compliant to EN 166)
 - Wear protective gloves (compliant to EN ISO 21420 Class 0)
 - Wear safety footwear (complaint to EN ISO 20345 Class 2)
 - Wear protective trousers (compliant to EN ISO 11393-2, EN ISO 13688 Class 1)
 - Wear dust mask
 - First aid kit in case of injury
 - Dry powder fire extinguisher readily available

Fuel handling

- > Always switch the machine off, disconnect the spark plug connector and let the machine cool down before refuelling it.
- > Fuel vapour pressure may build up inside the fuel tank depending on the fuel used, weather conditions and the tank venting system. To reduce the risk of burns and other personal injuries, remove the fuel tank cap carefully to allow any pressure build up to release slowly.
- > Fuel and fuel vapour are highly flammable. Take care when handling fuel.
- > Be aware of fire risks, explosion and inhalation risks.
- > Do not smoke while operating the machine, handling fuel or near fuel.
- > Ensure the spark plug connector is secure. Loose connector may cause electrical arcing that could ignite combustible fumes and cause a fire or explosion.
- > Always use suitable aids such as funnels and filler necks. Do not spill any fuel on the machine or its exhaust system. There is a risk of ignition. Remove spilled fuel carefully from all parts of the machine. Any residue which may be present must have completely volatilised, before the machine is put into operation!
- > Never refuel indoors.
- > Never use the machine in environments where there is a risk of explosion. Exhaust gases and fuel fumes are noxious. Fuel fumes can ignite.
- > Avoid skin contact with petrol.
- > Do not eat or drink, while you are refuelling the machine. If you have swallowed petrol or oil, or if petrol or oil has got into your eyes, then seek the advice of a doctor immediately.
- > Check regularly for leaks from the fuel tank cap, oil tank cap and fuel lines.
- > Use caution when handling fuel. To avoid any accidental fires, move the machine at least 3 metres from the fuelling point before starting the engine.
- > Tighten the fuel tank cap thoroughly after refilling the fuel tank.
- > Do not operate the machine if it is leaking fuel.
- > Do not remove the fuel tank cap while the engine is running.
- > Do not store cans of fuel or refill the fuel tank in any place where there is a boiler, stove, wood fire, electrical sparks, welding sparks, or other sources of heat or fire which might ignite the fuel.
- > If any fuel spillage occurs during refuelling, use a dry rag to wipe up spills and allow remaining fuel to evaporate before starting the engine on again.
- > If you have spilt fuel on yourself or on your clothes, change your clothes and wash any part of your body that has come in contact with fuel before turning the engine on again.
- > If fuel has ignited, put out the fire with a dry powder fire extinguisher.

Getting started

- > Do not operate the machine indoors. The machine produces poisonous exhaust fumes whilst the engine is running which may be colourless and odourless.
- > Do not wrap the recoil starter rope around your hand whilst starting the machine. This may result in injuries to your hand or fingers.
- > Keep handles dry, clean and free from oil and grease. Greasy, oily handles are slippery and may cause loss of control.
- > In vacuuming mode, always hold the machine with both hands. Grip the main handle (1) with the left hand and the auxiliary handle (8) with the right hand! Serious injury to the operator or bystanders may result from one handed operation.
- > In blowing mode, always hold the machine by the main handle (1) with the right hand and use the auxiliary handle (8) with the left hand for extra support if needed.
- > Stop the engine and wait until the moving parts come to a complete stop before placing the machine down.
- > Check for signs of wear or damage before each use, after any impact or if the machine has been dropped. Repair the machine if necessary.

Operation

- > Before starting the machine, make certain that the tubes and nozzles are empty.
- > Keep your face and body away from the blower outlet and vacuum inlet.
- > Do not allow hands or any other part of the body or clothing inside the tubes or nozzles, or near any moving part.
- > Keep proper balance and footing at all times. Do not overreach.
- > If the shredding means at the vacuum inlet strikes any foreign objects or if the machine should start making any unusual noise or vibration, immediately stop the engine and let the engine come to a complete stop. Take the following steps before restarting and operating the machine:
 1. Inspect for damage.
 2. Replace or repair any damaged parts.
 3. Check for and tighten any loose parts.
- > Do not allow processed material to build up in the discharge zone; this may prevent proper discharge and can result in kickback of material through the vacuum inlet.
- > If the machine becomes clogged, immediately stop the engine and let the engine come to a complete stop before cleaning debris.
- > Never operate the machine with defective parts, or without safety devices, for example debris collector bag in place.
- > Do not touch moving hazardous parts before they have come to a complete stop.
- > Do not operate the machine near open windows or doors.
- > Do not blow hard objects such as nails, bolts and rocks.
- > Apply extra care when cleaning debris from stairs or other tight areas.

- > Keep all parts of your body away from the blower outlet and vacuum inlet. Do not remove blockages or jams when the machine is switched on. Stop the engine and wait until the moving parts come to a complete stop when clearing jammed material. One moment of inattentiveness while operating the machine may result in serious personal injury.
- > Carry the machine by the handles with the engine off. Handling the machine properly reduces the possibility of personal injury.
- > Never operate the machine on a ladder or other insecure support. Do not work above shoulder height.
- > If the machine starts to vibrate abnormally, check it immediately. Excessive vibration can cause injury.
- > Always ensure the machine is fully assembled before using it. Never attempt to use an incomplete machine or one fitted with an unauthorised modification.
- > Do not operate the machine if you are tired or ill.
- > Do not operate the machine under the influence of drugs, alcohol or medication.
- > Use rakes and brooms to loosen debris before blowing.
- > Operate the machine only in daylight or in good artificial light.
- > Slightly dampen surfaces in dusty conditions.
- > Use the full blower nozzle extension so the air stream can work close to the ground.
- > Operate the machine only at reasonable hours – not early in the morning or late at night when people might be disturbed.
- > Make sure that the air vents are kept clear of debris.
- > Make sure that the air intake of the combustion engine is clear. Keep the air intake free of dust, dirt particles, gases and fumes.
- > Never use the machine without the air filter installed.
- > Check for signs of wear or damage before each use, after any impact or if the machine has been dropped. Repair the machine if necessary.
- > Stop the engine, disconnect the spark plug connector:
 - before clearing blockages;
 - before cleaning or servicing the machine;
 - if the machine starts to vibrate abnormally (check immediately);
 - whenever you leave the machine unattended;
 - before refuelling.
- > Do not operate the machine if you have any medical conditions that might be aggravated by strenuous work. Consult a doctor before operating this machine.
- > Do not touch the exhaust during use - IT GETS VERY HOT during use.
- > Do not operate the machine near or around flammable liquids or gases.
- > Do not grip the handle with constant or excessive pressure. This might increase the feeling of vibration and the risk of "Vibration White Finger (VWF)" disease. To minimize vibration exposure, use the lock-on lever to lock the throttle trigger for continuous operation.

Transport and storage

- > Stop the engine and let the engine come to a complete stop before transporting the machine.
- > Carry the machine with the engine stopped, the blower outlet and vacuum inlet away from the body.
- > Allow the engine to cool before storing in any enclosure.
- > Secure the machine when transporting in a vehicle to prevent turnover, fuel spillage and damage to the machine. Use line or ratchet tie-down if necessary.
- > Store the machine and fuel so that there is no risk of leakages or fumes coming into contact with sparks or naked flames from electrical equipment, electric engines, relays/switches, boilers etc.
- > For longer periods of storage or transportation the fuel and tanks must be emptied. Dispose of waste oil and fuel at a local petrol station, local authority centre or where facilities exist.
- > Store fuel and oil in an approved container specifically designed for that purpose.
- > Clean the machine and have it serviced before any long-term storage.

Vibration and noise reduction

To reduce the impact of noise and vibration emission, limit the time of operation, use low-vibration and low-noise operating modes as well as wear personal protective equipment.

Take the following points into account to minimise the vibration and noise exposure risks:

- > Only use the machine as intended by its design and these instructions.
- > Ensure that the machine is in good condition and well maintained.
- > Use correct attachments for the machine and ensure they in good condition.
- > Keep a tight grip on the handles/gripping surfaces.
- > Maintain this machine in accordance with these instructions and keep it well lubricated (where appropriate).
- > Plan your work schedule to spread any high vibration tool use across a longer period of time.

Emergency

Familiarise yourself with the use of this machine by means of this instruction manual. Memorise the safety directions and follow them to the letter. This will help to prevent risks and hazards.

- > **Always be alert when using this machine, so that you can recognise and handle risks early.** Fast intervention can prevent serious injury and damage to property.
- > **Stop the engine and disconnect the spark plug connector if there are malfunctions.** Have the machine checked by a qualified professional and repaired, if necessary, before you operate it again.
- > **In case of fire stop the engine and disconnect the spark plug connector.** Take fire-extinguishing measures immediately if the machine switch is no longer accessible.



WARNING! Never use water to extinguish the machine on fire. Burning fuel must be extinguished with special extinguishing agents! We recommend that you keep a suitable fire extinguisher within reach in your work area! We recommend to have dry powder fire extinguisher always available.

Residual risks

Even if you are operating this machine in accordance with all the safety requirements, potential risks of injury and damage remain. The following dangers can arise in connection with the structure and design of this machine:

- > Health defects resulting from vibration emission if the machine is used over long periods of time or not adequately managed and properly maintained.
- > Injuries and damage to property due to broken application tools or the sudden impact of hidden objects during use.
- > Danger of injury and property damage caused by flying objects.
- > Burns, if touching hot surfaces.






WARNING! This machine produces an electromagnetic field during operation! This field may under some circumstances interfere with active or passive medical implants! To reduce the risk of serious or fatal injury, we recommend persons with medical implants to consult their doctor and the medical implant manufacturer before operating this machine!

Symbols

On the machine, the rating label and within these instructions you will find among others the following symbols and abbreviations. Familiarise yourself with them to reduce hazards like personal injuries and damage to property.

kW	Kilowatt	l	Litre
cm ³	Cubic centimetre	ml	Millilitre
/min or min ⁻¹	Per minute	°C	Degree Celsius
mm	Millimetre	dB(A)	Decibel (A-rated)
cm	Centimetre	m/s ²	Metres per second squared
kg	Kilogram	g/kWh	Gram per kilowatt per hour
kg/h	Kilogram per hour	m/s	Metres per second
		m ³ /h	Cubic metre per hour
yyWxx	Manufacturing date code; year of manufacturing (20yy) and week of manufacturing (Wxx)		

Description of signal words:

-  **DANGER!** The signal word that indicates a hazard with a high level of risk which, if not avoided, will result in death or serious injury.
-  **WARNING!** The signal word that indicates a hazard with a medium level of risk which, if not avoided, could result in death or serious injury.
-  **CAUTION!** The signal word that indicates a hazard with a low level of risk which, if not avoided, could result in minor or moderate injury.
- NOTE!** Indicates a practical tip, advice or practice not related to personal injury.



Caution/Warning.
Read the instruction
manual.



Note/Remark.



Wear eye protection (compliant to EN 166).



Wear hearing/ear protection (compliant to EN 352-1).



Wear safety steel toe capped footwear (compliant to EN ISO 20345 Class 2).



Wear protective gloves (compliant to EN ISO 21420 Class 0).



Do not expose the machine to rain or wet conditions.



Open flames in the work area, around the machine and in the vicinity of flammable materials are prohibited!



Do not smoke in the work area, around the machine and in the vicinity of flammable materials!



Risk of fire/flammable materials.



Hot surface, do not touch! High temperatures on the machine's surfaces and structural parts that could cause burns, if they are touched. The machine can also stay hot for a longer period of time after the operation!



Petrol engines produce toxic carbon monoxide exhaust fumes. Breathing carbon monoxide can cause nausea, fainting or even death. Do not operate the engine indoors!



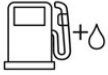
Objects thrown by the machine could hit the operator or other bystanders. Always ensure that other people and pets remain at a safe distance from the machine when it is in operation. In general, children must not come near the area where the machine is operating.



Keep hands out of the openings while the machine is running.



Stop the engine before refuelling. Never refuel the machine while the engine is running.



Only refuel unleaded petrol and oil mixture in ratio 50:1. Do not use any other mixture ratio.



Stop the engine and disconnect the spark plug connector before assembly, cleaning, adjustments, maintenance, storage and transportation.

T

Idle-speed adjuster for adjusting the idling speed.



Choke – CLOSED position.



Choke – OPEN position.



Engine manual start; recoil starter.



Guaranteed sound power level value in dB.



The machine complies with the applicable European directives and an evaluation method of conformity for these directives was done.



The machine complies with the conformity requirements of the applicable UK regulations.

TTBVP25-2

Designation of the tool
(TT_Brand Name; **BVP**_Petrol Blower Vacuum; **25-2**_Engine size in cc)



1E34F-6

Engine brand logo, family-type and model number

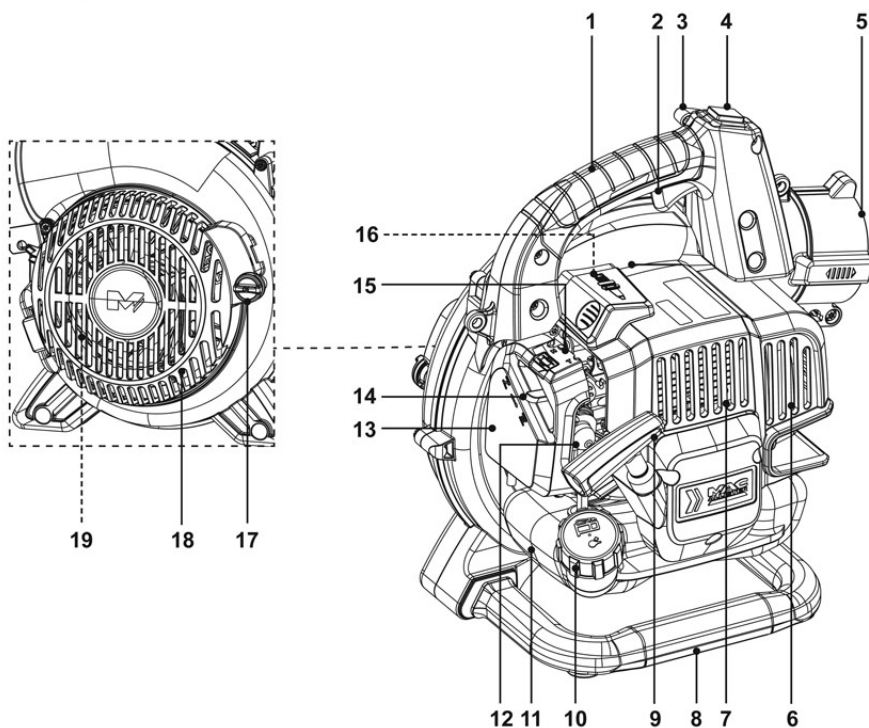


SHA2/P V-0549

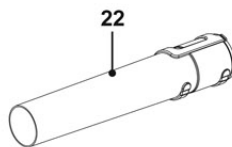
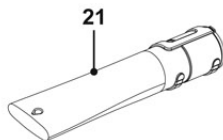
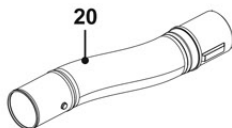
EU type-approval for the engine

Your machine

Main unit



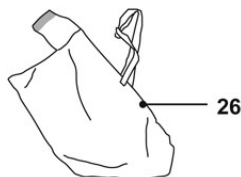
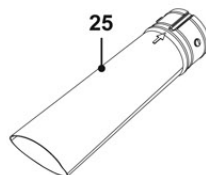
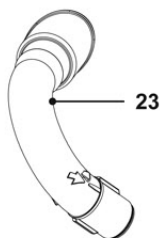
- | | |
|--|-------------------------------------|
| 1. Main handle | 11. Fuel tank |
| 2. Throttle trigger | 12. Primer |
| 3. Lock-on lever (throttle locking device) | 13. Air filter case |
| 4. Ignition switch (I / O) | 14. Choke lever |
| 5. Blower outlet | 15. Adjusting screws for carburetor |
| 6. Exhaust | 16. Spark plug connector |
| 7. Air vents | 17. Locking knob |
| 8. Auxiliary handle | 18. Vacuum inlet cover |
| 9. Recoil starter handle | 19. Vacuum inlet |
| 10. Fuel tank cap | |

Blower assembly

20. S-shaped tube

21. Flat nozzle

22. Round nozzle

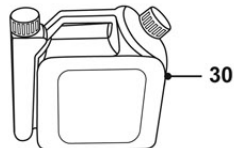
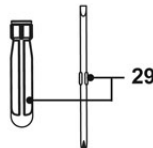
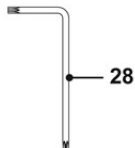
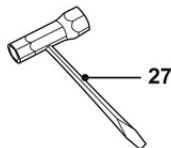
Vacuum assembly

23. L-shaped tube

24. Upper vacuum tube

25. Vacuum nozzle

26. Debris collector bag

Accessories

27. Multi-tool

28. Torx key

29. Screwdriver

30. Fuel mixing bottle

Technical specifications

General

- > **Dimensions (without tube):** approx. 340 x 260 x 360 mm
- > **Weight:** approx. 4.7 kg (blower), 5.6 kg (vacuum)
- > **Fuel tank capacity:** 475 cm³ (ml)
- > **Collector bag capacity:** 55 L
- > **Petrol type:** Octane rating of at least 90, unleaded, Maximum 10% renewable ethanol (E10 or below)
- > **Engine oil type:** Top quality synthetic oil specifically for two-stroke engines, of JASO FC minimum specification.
- > **Fuel-oil ratio:** 50:1
- > **Specific fuel consumption at maximum engine power:** 510 g/kWh
- > **Fuel consumption at maximum engine power:** 0.38 kg/h

Engine

- > **Engine model:** 1E34F-6
- > **Engine type:** Air cooled, 2-stroke engine
- > **Engine displacement:** 25.4 cm³
- > **Maximum engine power:** 0.75 kW
- > **Maximum operating engine speed:** 7500 min⁻¹
- > **Maximum air velocity:** 67 m/s
- > **Spark plug type:** CHAMPION RCJ7Y
- > **Spark plug gap:** 0.6-0.7 mm

Sound emission level

- > **Sound pressure level at operator position:** 91.07 dB(A)
- > **Uncertainty K:** 3.0 dB(A)
- > **Measured sound power level L_{WA} :** 105.64 dB(A)
- > **Uncertainty K:** 3.0 dB(A)
- > **Guaranteed sound power level L_{WA} :** 109 dB(A)

Vibration emission level

- > **Hand-arm vibration a_{hw} :** 9.5 (blower), 9.76/ 8.57 (vacuum)
- > **Uncertainty K:** 1.5 m/s²

The sound values have been determined according to noise test code given in EN 15503, using the basic standards EN ISO 3744 and EN ISO 11201.

Wear ear protection, especially when sound pressure is over 70 dB(A).

The declared vibration value has been measured in accordance with a standard test method (according to EN 15503) and may be used for comparing one machine with another. The declared vibration value may also be used to evaluate the exposure for the user caused by vibration in advance.



WARNING! Depending on the actual use of the machine the vibration values can differ from the declared total. Adopt proper measures to protect yourself against vibration exposures. Take the whole work process including times the machine is running under no load or switched off into consideration! Proper measures include among others regular maintenance and care of the machine and accessories, keeping hands warm, periodical breaks and proper planning of work processes!

Unpacking

1. Unpack all parts and lay them on a flat, stable surface.
2. Remove all packing materials and protective shipping materials, if applicable.
3. Make sure the delivery contents are complete and free of any damage. If you find that parts are missing or show damage do not use the machine and contact your dealer. Using an incomplete or damaged machine represents a hazard to operators and property.
4. Ensure that you have all the accessories and tools needed for assembly and operation. This also includes suitable personal protective equipment.



WARNING! The machine and the packaging are not children's toys! Children must not play with plastic bags, sheets and small parts! There is a danger of choking and suffocation!

You will need

(items not supplied)

- > Suitable personal protective equipment
- > Fuel funnel with filter
- > Suitable 2-stroke engine oil for air-cooled engines, high quality
- > Suitable fuel (unleaded petrol)
- > Container to collect fuel
- > First aid kit
- > Dry powder fire extinguisher readily available
- > Soft absorbent cloth (for fuel spills)

(items supplied)

- > Multi-tool (27)
- > Torx key (28)
- > Screwdriver (29)
- > Fuel mixing bottle (30)

Assembly



WARNING! The machine must be fully assembled before operation!



Do not use a machine that is only partly assembled or assembled with damaged parts!

Follow the assembly instructions step-by-step and use the pictures provided as a visual guide to assemble the machine easily!

Disconnect the spark plug connector before assembly! Reconnect it after assembly (see "Maintenance").



NOTE: Take care of small parts that are removed during assembly or when making adjustments. Keep them secure to avoid loss. Complete the assembly on a flat and stable surface.

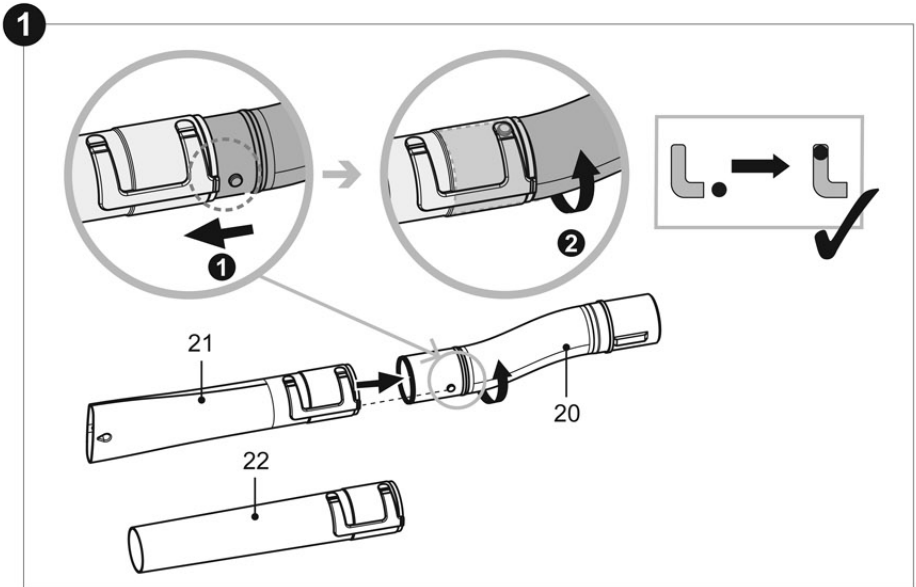
Blower assembly

1. Select the flat nozzle (21) or round nozzle (22) for the desired application.

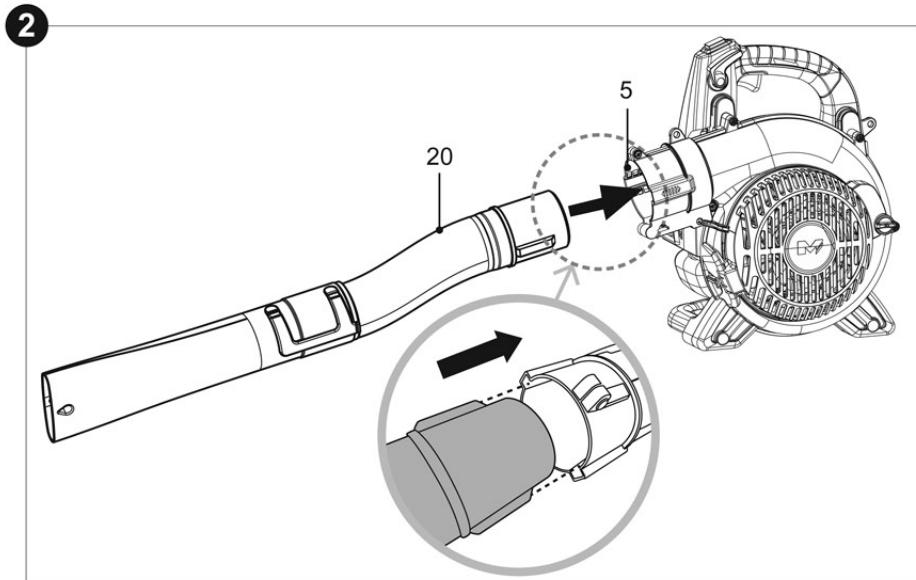


NOTE: Flat nozzle (21) offers higher air speed for more demanding tasks and for heavier debris. Round nozzle (22) offers greater air volume for general blowing tasks in a larger area and for lightweight debris.

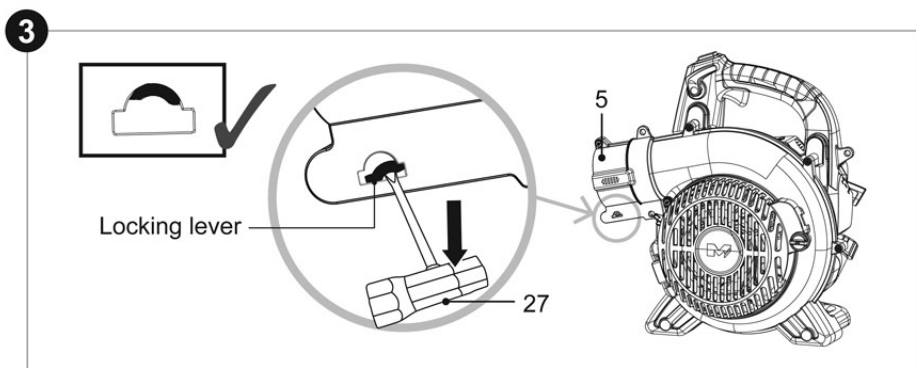
2. Align the slot of nozzle (21/ 22) with the pin on the S-shaped tube (20). Insert the S-shaped tube (20) into the nozzle (21/ 22) (Step 1, Fig.1). Turn the S-shaped tube (20) clockwise until the pin reaches end of the slot (Step 2, Fig. 1).



- Align the tabs on the other end of the S-shaped tube (20) with the slots on the blower outlet (5). Insert the S-shaped tube (20) into the blower outlet (5) all the way until it clicks into place (Fig. 2).



i **NOTE:** To detach the S-shaped tube (20) from the blower outlet (5), use the multi-tool (27) to depress the locking lever, and pull the S-shaped tube (20) (Fig. 3).



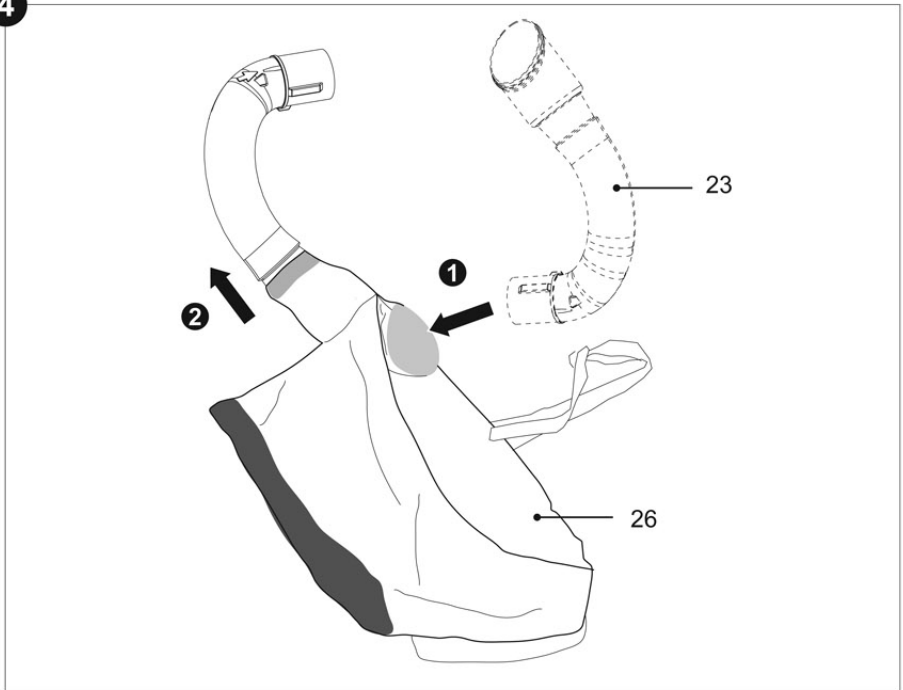
Vacuum assembly

WARNING! Always use the machine with the L-shaped tube (23) and debris collector bag (26) attached when vacuuming to protect yourself against dashed debris and to avoid injuries!

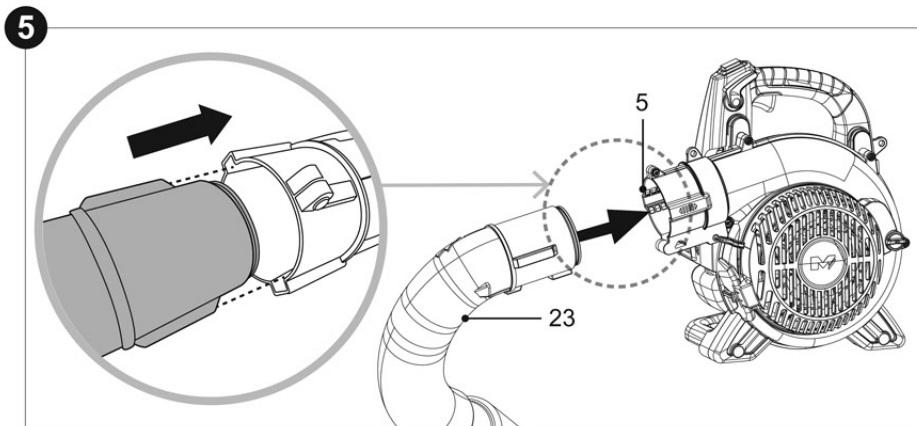
Do not use this machine with a damaged debris collector bag (26) or without one at all when vacuuming!

1. Unzip the debris collector bag (26). Run the flat end of the L-shaped tube (23) through the sleeve from the inside of the debris collector bag (26) (Fig. 4).

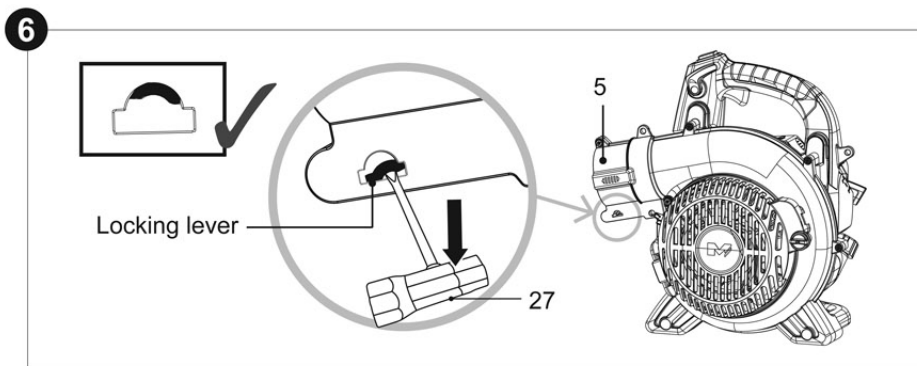
4



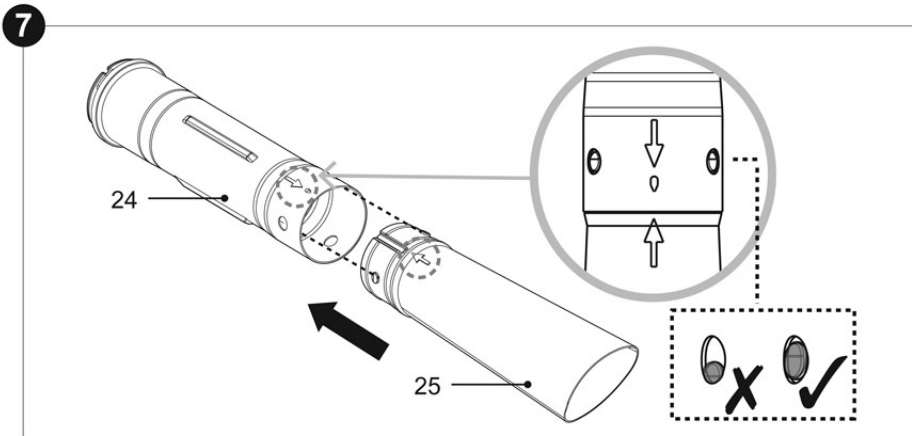
- Align the tabs on the other end of the L-shaped tube (23) with the slots on the blower outlet (5). Insert the L-shaped tube (23) into the blower outlet (5) all the way until it clicks into place (Fig. 5).



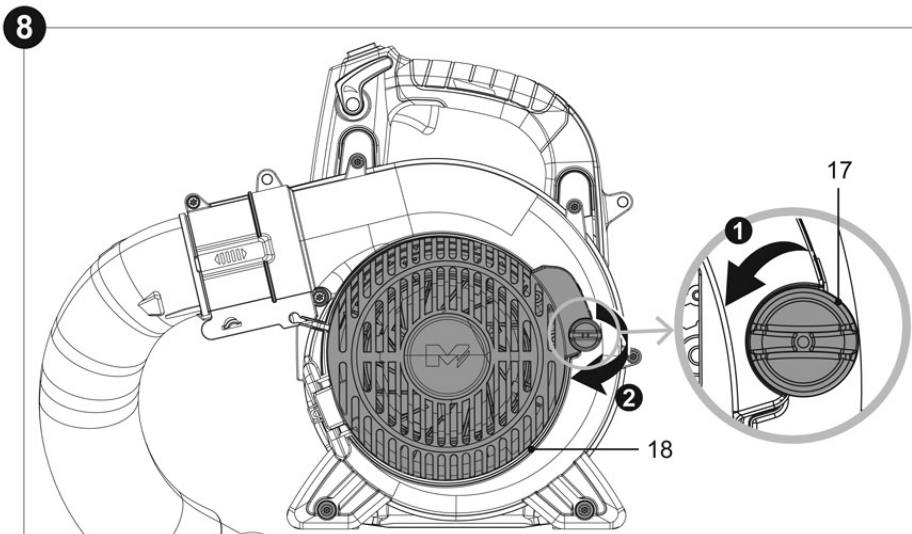
i **NOTE:** To detach the L-shaped tube (23) from the blower outlet (5), use the multi-tool (27) to depress the locking lever, and pull the L-shaped tube (23) (Fig. 6).



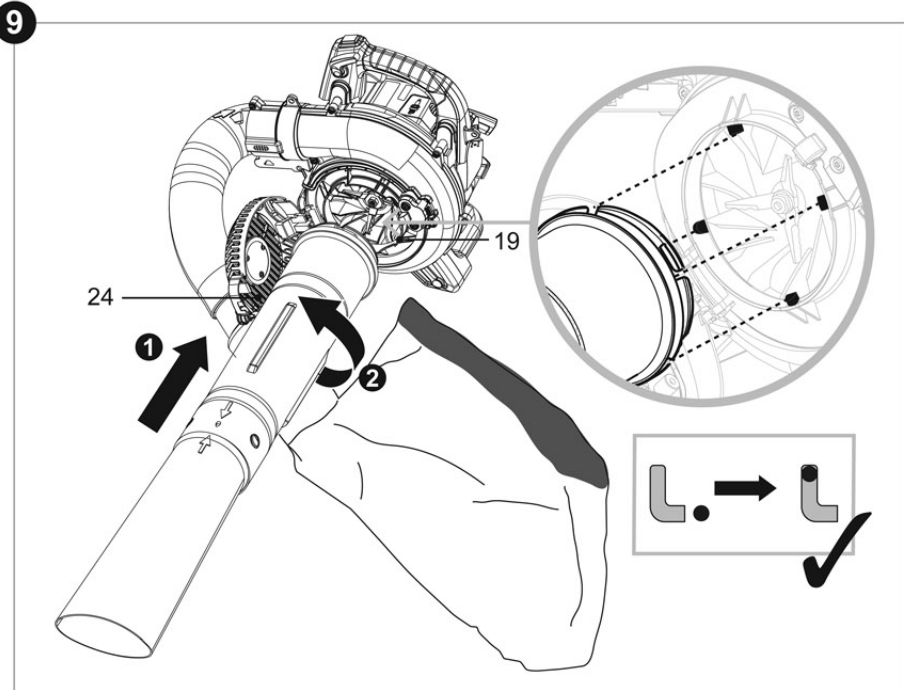
- Align the arrow markings on the vacuum nozzle (25) and the upper vacuum tube (24). Connect the 2 parts securely until the pins on the vacuum nozzle (25) protrude from the holes on the upper vacuum tube (24) (Fig. 7).



- Loosen the locking knob (17) by turning it anticlockwise to open the vacuum inlet cover (18) (Fig. 8).



5. Connect the upper vacuum tube (24) to the vacuum inlet (19), with the slots on the upper vacuum tube (24) aligning with the tabs around the vacuum inlet (19). Turn the upper vacuum tube (24) anticlockwise so that the tabs reach end of the slots (Fig. 9).



Filling up fuel and oil



WARNING! This machine is not supplied with petrol-oil mixture in the engine! Before operating this machine it is essential to fill it with petrol-oil mixture!

This machine is equipped with a 2-stroke engine, the fuel and oil tank are combined and it is essential to fill a fuel-oil mixture before operating this machine. Observe the technical specifications for suitable fuel and engine oil.






WARNING! Fuel and oil are highly inflammable! Fumes will explode if lit! Ensure that there are no naked flames around the machine! Do not smoke while filling fuel and oil!



NOTE: To avoid spillage and to filter out debris, use a funnel with filter to fill the fuel mixing bottle (30) and the fuel tank (11).

1. Place the machine on a stable, level surface with the fuel tank cap (10) facing upwards. We recommend laying a non-flammable sheet under the machine.
2. Pour a regular-grade unleaded petrol and a quality engine oil for air cooled 2-stroke engines in the supplied fuel mixing bottle (30) respectively via the 2 openings. Use the scale markings on different sides for your desired ratio for petrol:oil. For example, fill petrol to scale marking "10" first, and then fill 2-stroke oil to scale marking "10". This indicates a correct ratio of 50:1 when using the scale 50:1.

	+		=	
100 ml	+	2 ml	=	50:1
200 ml	+	4 ml	=	
300 ml	+	6 ml	=	
400 ml	+	8 ml	=	

3. Tilt and shake the fuel mixing bottle (30) thoroughly to make the fuel.

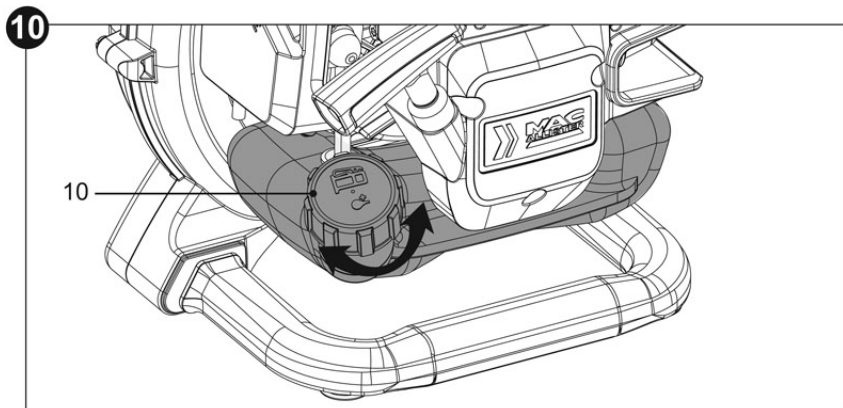


NOTE: Risk of machine damage!

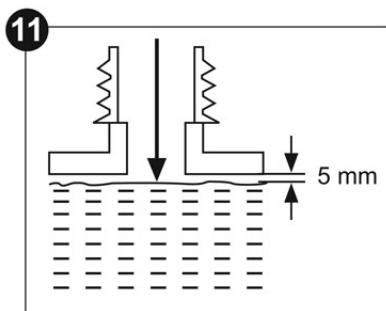
Never mix fuel and oil directly in the tank of the machine.

Use an anti-oxidant added quality oil expressly labelled for air-cooled 2 stroke engine use (JASO FC GRADE OIL or ISO EGC GRADE). Do not use BIA or TWC (2 stroke water-cooling type) mixed oil. The recommended mixing ratio for petrol:oil is 50:1, which means the mixture consisting of 50 parts petrol and 1 part oil.

4. Unscrew and remove the fuel tank cap (10) (Fig. 10).



5. Fill the fuel into the fuel tank (11). Leave approximately 5 mm of space between the top of the fuel and the inside edge of the tank to allow for expansion (Fig. 11). Do not overfill.

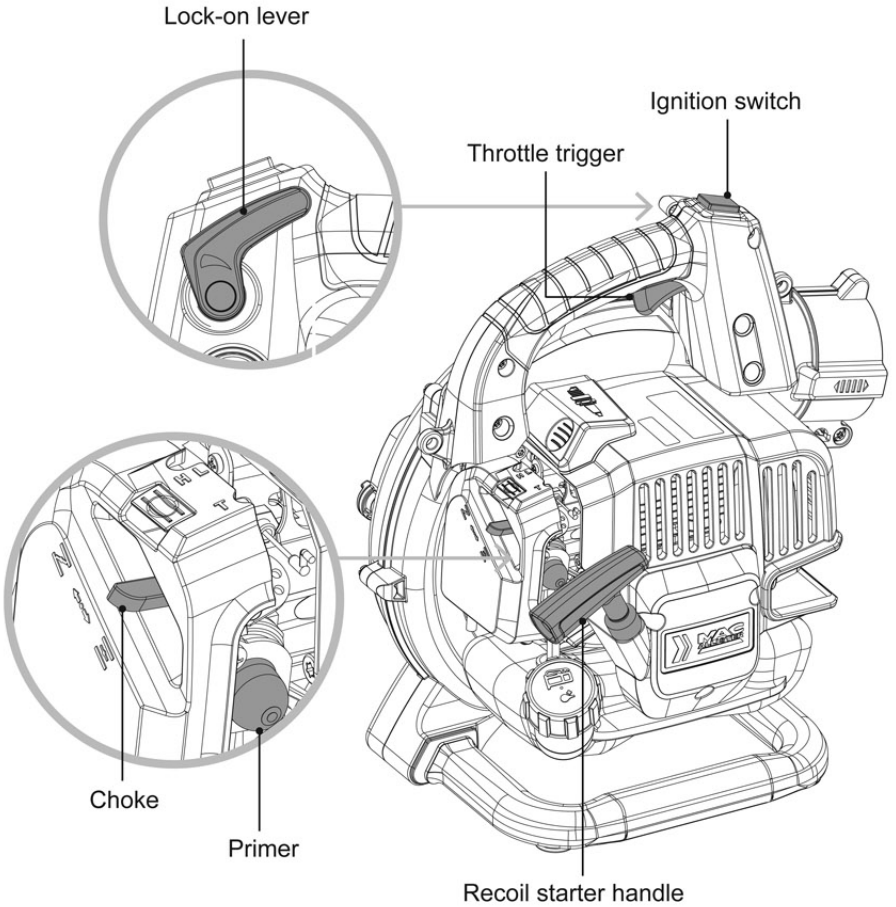


6. Wipe up spilled fuel with a soft cloth. Refit and screw the fuel tank cap (10) firmly (Fig. 10).



NOTE: Fuel and oil deteriorate over time. It may be difficult to start the engine if you use fuel which has been kept for more than 30 days. Towards the end of the season, it is advisable to put only as much fuel in the tank as you need for each use, since it should be completely used up before storing the machine. Empty remaining fuel from the tank when storing the machine for over 30 days.

Operating controls



Preparation



Assemble



Adjust



Add fuel and oil mixture

Starting



Set the choke to
CLOSE position



Press primer
7 times



Pull recoil starter
handle less than
5 times



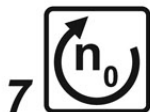
Set the choke to
OPEN position



Pull recoil starter
handle until engine
starts



Slowly squeeze the
throttle trigger



Warm up for
1- 2 minutes



Operate

= 4+5+8

If the engine is warm skip steps 1, 2, 3, 6 and 7.

Stopping



1

Release throttle trigger



2

Push the ignition switch to **O** position
until the engine stops

Storage



Empty fuel tank



Empty oil



Clean and maintain



Store



WARNING! This quick start provides only a short overview of how to start and stop the engine! For safe use it is essential to read the entire instruction manual before first use!

Intended use

This petrol blower vacuum TTBVP25-2 is designated with an engine displacement of 25.4 cm³.

The machine is intended for blowing light debris including leaves, grass and other garden refuse, and for vacuuming debris and deposit it into the debris collector bag (26). The machine is not intended to be used in wet locations. Do not use the machine on wet lawns, grass areas or fields.



WARNING! The machine must be used by an experienced operator* having read and understood the safety requirements provided within this instruction manual using appropriate personal protective equipment (PPE)!

* A trained operator is a person who has the competence and knowledge in the use and hazards associated with using the machine as well as the precautions to be taken to limit these hazards.

Operation

Ignition switch

Use the ignition switch (4) to start and stop the engine.

- > **I** position: The engine can start and run.
- > **O** position: The engine stops. After pushing the ignition switch (4) to the **O** position, the ignition switch (4) automatically returns to the **I** position.

Check before starting:

- > Check the machine, as well as accessories for damage before each use. Do not use the machine if it is damaged or shows wear.
- > When using the machine as a blower, verify that the S-shaped tube (20) and the nozzle (21/ 22) are properly assembled to the blower outlet (5).
- > When using the machine as a vacuum, verify that the L-shaped tube (23) and debris collector bag (26) are properly assembled to the blower outlet (5), and the upper vacuum tube (24) and vacuum nozzle (25) are properly assembled to the vacuum inlet (19).
- > Check the fuel level, refill if necessary.
- > Empty the debris collector bag (26) if necessary.
- > Always hold the machine by the main handle (1) and auxiliary handle (8). Keep the handles dry and clean to ensure a firm grip. The machine can be operated with only one hand in blowing mode, with the right hand on the main handle (1).

- > Ensure that the air vents (7) and exhaust (6) are always unobstructed and clear. Clean them if necessary with a soft brush. Blocked air vents (7) or exhaust (6) may lead to overheating and damage the machine.
- > Stop the engine immediately if you are disturbed while working by other people entering the working area. Always let the machine come to complete stop before putting it down.
- > Do not overwork yourself. Take regular breaks to ensure you can concentrate on the work and have full control over the machine.
- > Use rakes and brooms to loosen debris before blowing or vacuuming.
- > Slightly dampen surfaces in dusty conditions.



NOTE: In some countries regulations define at what time of the day and on what special days machines are allowed to be used and what restrictions apply! Ask your community for detailed information and observe the regulations in order to preserve a peaceful neighbourhood and avoid committing administrative offenses!

Starting the engine



DANGER! Risk of fire!

- > Due to any spilled fuel, the machine can catch fire.
- > Wipe any spilled fuel up before starting.
- > Start the engine a few metres away from the place where you have filled it.




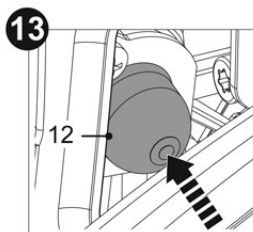
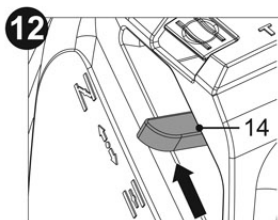
NOTE: Risk of machine damage!

Never twist the starter cord around your hand! Only pull on the handle!

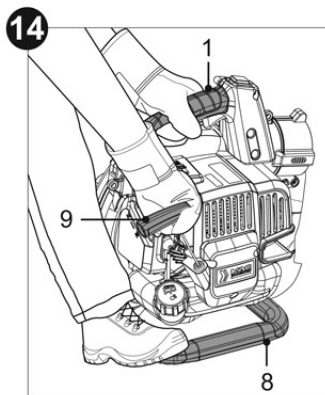
Do not suddenly release the recoil starter handle! Allow the rope to return slowly and in a controlled manner each time it is pulled!

Engine cold start

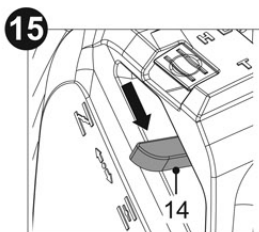
1. Set the choke lever (14) to the CLOSE  position (Fig. 12).
2. Press the primer (12) until the bubble is filled with fuel (7 times) (Fig. 13).



3. Hold the machine securely to the ground. Place your left hand on the main handle (1) and additionally secure the machine at the auxiliary handle (8) with your right foot (Fig. 14).

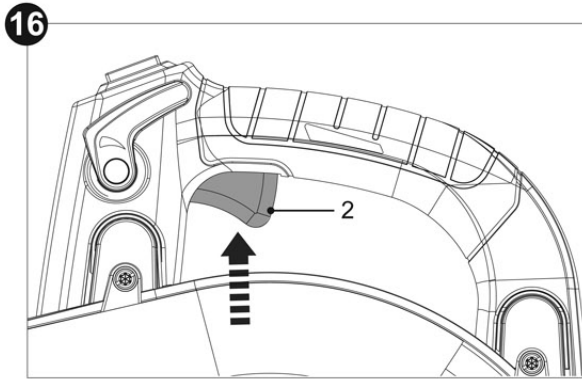


4. Pull the recoil starter handle (9) slowly with your right hand until you feel a definite resistance and then give it a brisk, strong pull. Repeat until the engine attempts to start but no more than 5 times.
5. Set the choke lever (14) to the OPEN | ↑ | position (Fig. 15).



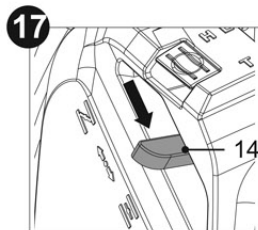
6. Pull the recoil starter handle (9) slowly with your right hand until you feel a definite resistance and then give it a brisk, strong pull. Repeat until the engine starts.

- Slowly squeeze the throttle trigger (2) to accelerate the engine (Fig. 16). Let the engine warm up for 1-2 minutes. If the engine stops, repeat above steps.



Engine warm start

- Set the choke lever (14) to the OPEN | ↑ position (Fig. 17).



- Pull the recoil starter handle (9) slowly with your right hand until you feel a definite resistance and then give it a brisk, strong pull. Repeat until the engine starts.

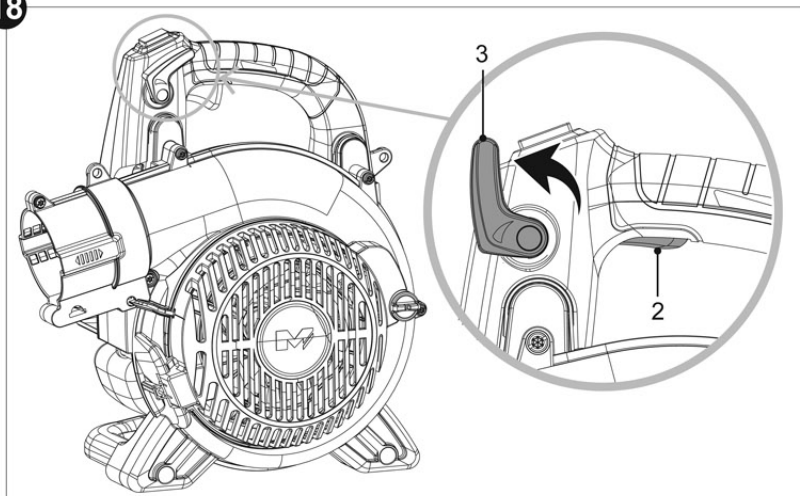
After starting the engine

1. Slowly press down on the throttle trigger (2) to increase the engine speed.
2. For continuous operation, turn the lock-on lever (3) upwards to hold the throttle trigger (2) down (Fig. 18).



NOTE: The machine can be operated with only one hand in blowing mode, with the right hand the main handle (1).

18

**Stopping the engine**

1. Release the throttle trigger (2) and let the machine run in idle for a while.
2. Push the ignition switch (4) to **O** position until engine stops.



WARNING! The machine continues to work for some time even after the engine has been stopped! Wait until it comes to a complete stop before you put the machine down!

Basic operating



WARNING! Always wear ear protection, eye protection to avoid serious personal injury. Do not point the nozzle (21/ 22/ 25) in the direction of people or pets.



WARNING! Always push the ignition switch (4) to **O** position and let the engine come to a complete stop before placing the machine down.



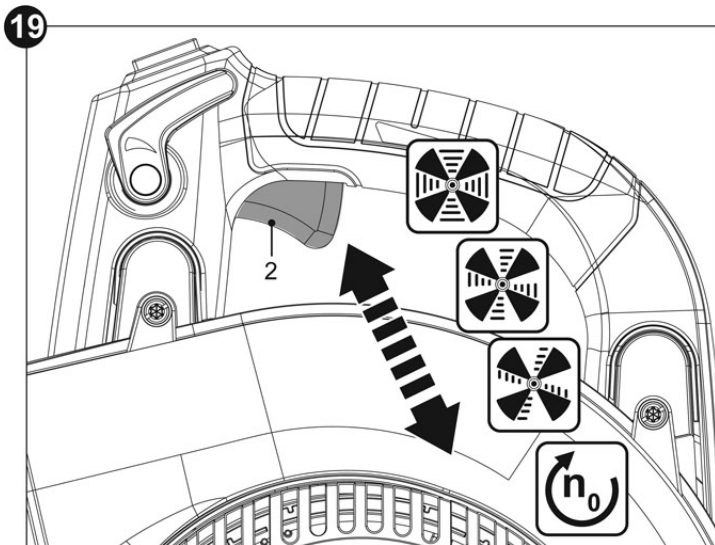
NOTE: Do not block the tubes or nozzles to avoid engine damage due to over-revving.



- > Walk through the working area and remove any limbs, rocks or other debris that could become projectiles.
- > Before operation, close car and home windows and doors.
- > Operate the machine at lowest possible throttle to reduce noise and save fuel.

Using the throttle trigger

- > Squeeze the throttle trigger (2) to start the operation. The speed is controlled by how far the throttle trigger (2) is depressed (Fig. 19).





NOTE: For continuous operation, turn the lock-on lever (3) upwards to hold the throttle trigger (2) down.

Blowing mode



- > Operate the machine towards the wind direction instead of against it.
- > Practice controlling the air velocity to lift leaves without stirring up dust.
- > Be aware of the ricochet effect when blowing around objects.
- > Always blow in one direction to avoid blowing debris into an area which has been cleared.



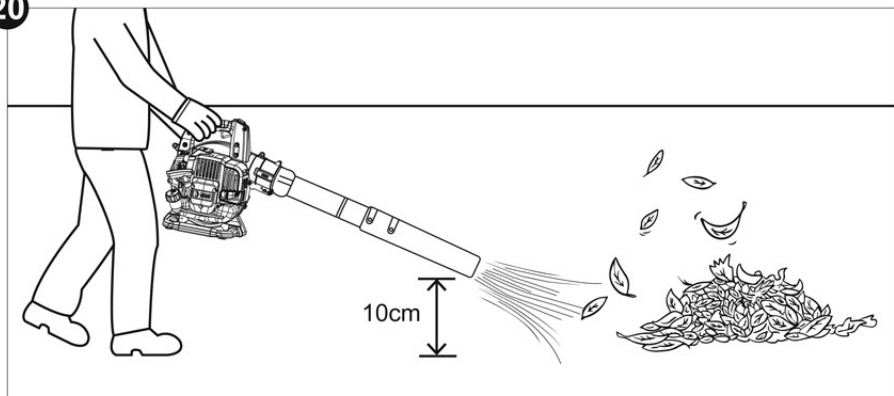
NOTE: Use the flat nozzle (21) for more demanding tasks and for heavier debris with a higher air speed. Use the round nozzle (22) for general blowing tasks in a larger area and for lightweight debris with greater air volume.



NOTE: The machine with blower assembly can be controlled with one hand. Always grip the machine with the right hand on the main handle (1) during operation. Use the auxiliary handle (8) with the left hand if needed.

1. Assemble the S-shaped tube (20) and the nozzle (21/ 22) properly to the blower outlet (5) as described in chapter “Blower assembly”.
2. Hold the nozzle (21/ 22) approximately 10 cm above the ground.
3. Use a sweeping motion from side to side and walk slowly forward (Fig. 20).

20



Vacuuming mode



WARNING! If the machine stops suddenly during operation and does not produce any suction, switch the machine off and disconnect the spark plug connector (16). Remove any blockages as described in the chapter "Removing blockages".



- > Use a rake to loosen any leaves stuck on the ground before starting to vacuum.
- > Avoid suck up wet or hard materials as it may damage the shredding means of the machine.
- > Make sure the zipper of the debris collector bag (26) is closed before operation.
- > Do not suck debris in massive volume at one time to prevent the upper vacuum tube (24) or vacuum nozzle (25) from clogging and blockage.



NOTE: The machine with vacuum assembly must be controlled with two hands. Always grip the machine with the left hand on the main handle (5) and with the right hand on the auxiliary handle (15) during operation.

1. Set the choke lever (14) to the OPEN | ↑ ↓ | position (Fig. 17). Assemble the L-shaped tube (23) and debris collector bag (26) properly to the blower outlet (5), and the upper vacuum tube (24) and vacuum nozzle (25) to the vacuum inlet (19) as described in chapter "Vacuum assembly".
2. Carry the debris collector bag (26) on the right shoulder using the shoulder strap. Hold the machine in front of you and move it slightly hovering above the ground (Fig. 21).

21



After use

1. Stop the engine, disconnect the spark plug connector (16). Let the engine come to a complete stop and wait until it cools down.
2. Check, clean and store the machine as described in section “**The golden rules for care**”.

The golden rules for care



WARNING! Always stop the engine, disconnect the spark plug connector and let the machine cool before performing inspection, maintenance and cleaning work.



DANGER! Proper maintenance is essential for safe and trouble free operation. Improper maintenance, or failure to address a problem instantly can cause a malfunction which can result in serious injury or even death.

- > Keep the machine clean and clear blockages in the tubes (20, 23, 24) and nozzles (21, 22, 25). Remove debris and empty the debris collector bag (26) after each use and before storage.
- > Regular and proper cleaning helps to ensure safe operation and prolongs the life of the machine.
- > Inspect the machine before each use for worn and damaged parts. Do not operate it if you find broken and worn parts. Replace worn parts as necessary or contact an authorised service centre for repair before using the machine again.



WARNING! Only perform repairs and maintenance work according to these instructions! All further works must be performed by a qualified specialist!

Cleaning



NOTE: Do not use chemical, alkaline, abrasive or other aggressive detergents or disinfectants to clean this machine as they might be harmful to its surfaces.

Cleaning the housing

- > Use a damp, lint-free cloth to clean the housing of the machine.
- > Do not submerge the machine into water or any liquids.
- > Clean the ventilation slots on the bottom and at the side cover of the engine with a soft brush. Clogged ventilation slots might cause the engine to overheat.
- > Wipe the surface with a dry cloth afterwards.

Emptying the debris collector bag



WARNING! Always set the ignition switch to **O** position and let the engine come to a complete stop before placing the machine down.



WARNING! When the debris collecting bag (26) is full, the suction capacity decreases considerably. Empty the debris collecting bag (26) once it is roughly half full.

1. Place the machine on an even surface. Detach the L-shaped tube (23) from the blower outlet (5) by depressing the locking lever with the multi-tool (27) (Fig. 3).
2. Carry the debris collector bag (26) with the shoulder strap to the location for disposing of the collected debris. Garden compost is an ideal place for disposal of collected debris.
3. Undo the zipper of the debris collector bag (26) and dispose of the collected debris.
4. Clean the debris collector bag (26) by turning it inside out and brush with sponge.
5. Let the debris collector bag (26) dry completely before attaching it along with the L-shaped tube (23) back onto the blower outlet (5).

Removing blockages



WARNING! Wear safety gloves when removing blockages! Use proper tools to remove debris, e. g. a wooden stick! Never use bare hands!

Ensure the engine is off by setting the ignition switch to **O** position, before removing any nozzles, tubes or the debris collector bag (26) for any maintenance or for removing blockage.

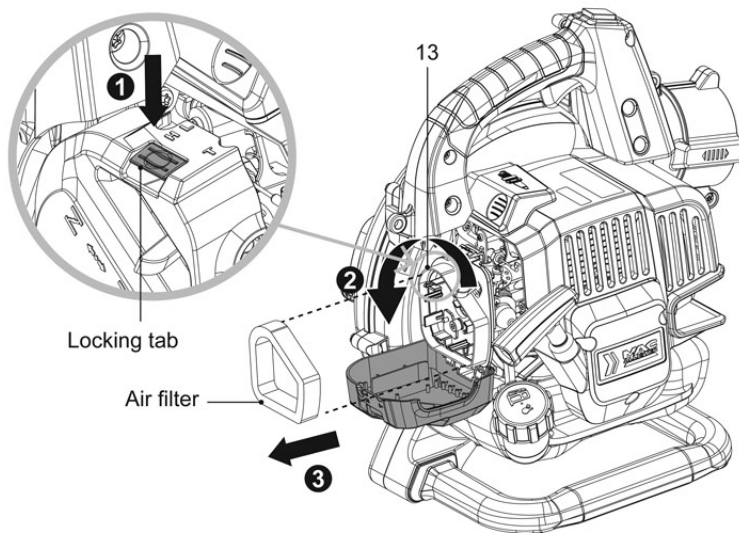
1. Place the machine on an even surface. Detach the L-shaped tube (23) from the blower outlet (5) by depressing the locking lever with the multi-tool (27) (Fig. 3).
2. Check the tubes and nozzles for blockages. Carefully tap the tubes or nozzles to loosen the blockage.
3. Check the air vents (7), exhaust (6), blower outlet (5) and vacuum inlet (19) including the shredding means, for blockages. Remove them with a suitable damp cloth or wooden stick if required.

Air filter

Inspect the air filter regularly. Clean or replace it with a new one if necessary.

1. Press the locking tab on the cover of the air filter case (13) and flip the cover open (Fig. 22).

22



2. Remove the air filter and tap it on a stable surface to remove dust. Use compressed air (max. 3 bar) to remove stubborn dust.
3. Apply a small amount of air filter oil on the air filter to obtain an optimal performance. Wring out surplus oil and put the air filter into the case.
4. Refit the air filter. Refit the cover and secure it with the fixing nut.

Fuel, fuel lines and fuel filter

The fuel tank of this machine is fitted with a filter located at the free end of the fuel pipe. If it is necessary to clean or replace the fuel filter, contact an authorised service centre or a similarly qualified person.

- > Keep fuel fresh (less than 30 days) or add fuel stabiliser.
- > Empty the fuel tank after every use.
- > Run the machine dry of fuel in idle before storage.
- > Replace fuel lines and fuel filters every 2 years.

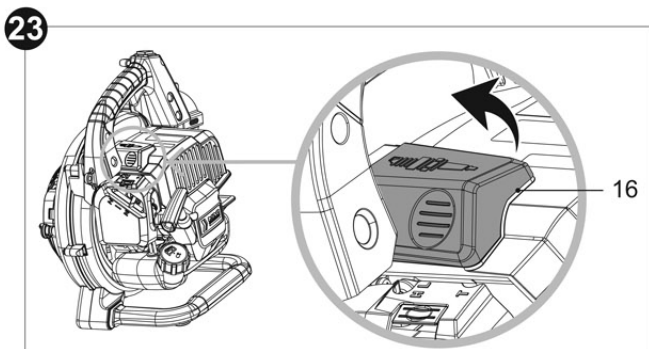
Spark plug



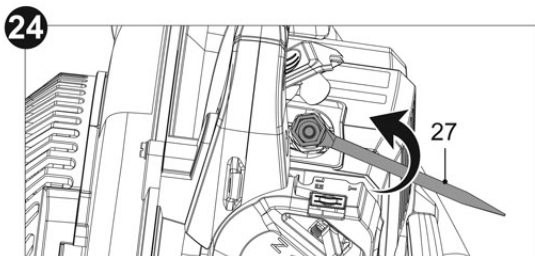
NOTE: For good performance, the spark plug must be properly gapped and free of deposits.

Inspect the spark plug every 25 hours or before long-term storage over 30 days. Clean or replace with a new one if necessary (type: CHAMPION RCJ7Y).

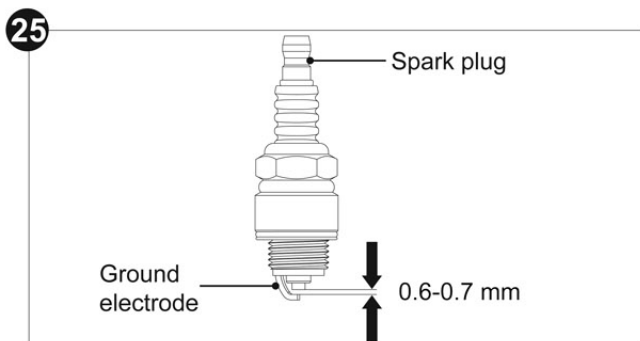
1. Disconnect the spark plug connector (16) on the top of the main unit (Fig. 23).



- Loosen the spark plug anti-clockwise using the multi-tool (27) and remove it carefully (Fig. 24).



- Check the spark plug for damage and wear. The colour of the ground electrode should be light-brown.
- Remove the deposits from the electrode with a soft wired brush. Avoid heavy cleaning of the electrode.
- Dry the spark plug with a soft cloth, if it is wet from fuel.
- Check the spark plug gap. It should be 0.6-0.7 mm (Fig. 25).



- Replace with a new spark plug if either the electrode or the insulation is damaged.
- When replacing the spark plug, first screw it in hand tight and then lightly tighten it with the multi-tool (27).



NOTE: Do not over tighten the spark plug to avoid any damage!

- Refit the spark plug connector (16).

Carburetor

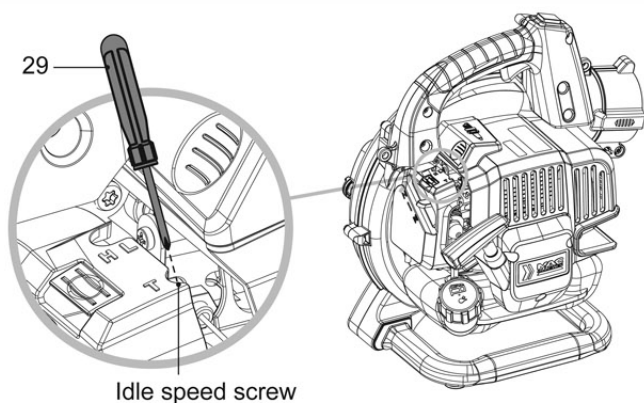
The carburetor has been carefully set at the factory. Adjustment may be necessary if you notice that the engine does not idle (e.g. the engine stalls when the throttle trigger is released). Contact an authorised service centre or dealer to do idle speed adjustment.



WARNING! Keep others away when making idle speed adjustment. Keep the nozzle off the ground and ensure that it does not contact with any object. The engine will be running during this procedure. Wear personal protective equipment and observe all safety precautions.

1. Release the throttle trigger (2) and allow the engine to idle.
2. Turn the idle speed screw **T** clockwise using the screwdriver (29) to increase engine speed if engine stalls or dies in idle mode (Fig. 26).
3. Turn idle speed screw **T** anticlockwise using the screwdriver (29) to decrease engine speed.

26



WARNING! Adjusting the screws L and H must be performed by an authorised service centre or a similarly qualified person. Using a pac man screwdriver (not provided) turn the screws L and H to adjust the quantity of fuel in relation to the air.

Muffler

If it is necessary to modify the muffler, contact an authorised service centre or a similarly qualified person.

Spare parts/Replacement parts

The following parts of this machine may be replaced by the consumer. Spare parts are available at an authorised dealer or through our customer service.

Description	Model no. or Specification
Debris collector bag (26)	20082143 (TITAN logo)
Shredding means (blades)	20073724
Spark plug	CHAMPION RCY7Y (Gap of electrodes: 0.6-0.7 mm) or other model with same specifications

Maintenance

Inspect and maintain this machine regularly based on below maintenance table. Keep the machine in good working condition during maintenance.

Part	Task	Before/after each use	Every 10 hours of operation	Every 25 hours of operation
Spark plug	check			X
	clean			X
	replace		whenever necessary	
Air filter	check	X		
	clean		X	
	replace		whenever necessary	
Fuel filter	clean		whenever necessary	
	replace		whenever necessary or every 2 years	
Fuel lines	replace		whenever necessary or every 2 years	
Shredding means (blades)	check	X		
	lubricate	X		
	clean	X		
	replace		whenever necessary	
Debris collector bag	check	X		
	clean	X		
Tubes/ nozzles	check	X		
	clean	X		

Repair

This machine does not contain any parts that can be repaired by the consumer. Contact an authorised service centre or a similarly qualified specialist to have it checked and repaired.

Storage



WARNING! Risk of injury! Make sure that unauthorized persons do not have access to the machine!



NOTE: Good storage conditions are important for keeping your machine trouble-free.

1. Clean the machine as described above.
2. Attach transportation guards, if applicable.
3. Store the machine and its accessories in a dry, frost-free, well-ventilated place.
4. Always store the machine in a place that is inaccessible to children. The ideal storage temperature is between 10 and 30 °C.
5. Store the machine in its bag or cover it with a suitable cloth to protect it against dust.

Short term storage (less than 1 day)

1. Let the machine cool down before storage.
2. Store the machine as horizontally as possible. Make sure that no fuel-oil mixture can run out of the carburettor.

Long term storage



NOTE: Risk of machine damage!

- > If you are not going to use the machine for a while, remove the fuel from the machine. This way, you will prevent a gumming-up of the engine and of the grease pump.
- > Store the machine in a dry place and far away from possible sources of ignition such as ovens, gas thermostats, etc.

1. Empty the fuel tank (11) if you are not going to use the machine for an extended period of time (more than 3 months) and before storing it for the winter.
2. Start the engine and let it run until the engine stops by itself (see “Starting the engine”).
3. Let the engine cool down (approx. 5 min).
4. Disconnect the spark plug connector (16) and remove the spark plug.
5. Let a teaspoon of clean two-stroke engine oil run into the combustion chamber.
6. Pull the recoil starter handle slowly several times in order to coat the internal components with the oil.
7. Refit only the spark plug and leave the spark plug connector (16) disconnected.

Transportation

1. Stop the engine and disconnect the spark plug connector (16) before transporting it anywhere.
2. Attach transportation guards, if applicable.
3. Always carry the machine by its handle.
4. Protect the machine from any heavy impact or strong vibrations which may occur during transportation in vehicles.
5. Secure the machine to prevent it from slipping or falling over, loss of fuel, damage and injury.

If you are transporting the machine in a vehicle:

- > Let the machine cool down.
- > Empty fuel tank (11).
- > Secure the machine against slipping using bungee cords (not provided) and vehicle's transportation hooks.

Troubleshooting

Suspected malfunctions are often due to causes that the operators can fix themselves. Therefore check the machine using this section. In most cases, the problem can be solved quickly.



WARNING! Only perform the steps described in these instructions! All further inspection, maintenance and repair work must be performed by an authorised service centre or a similarly qualified specialist if you cannot solve the problem yourself!

Problem	Possible cause	Solution
Engine does not start	Tank empty?	Fill the fuel tank.
	Incorrect starting procedure?	Follow the engine starting procedure.
	Spark plug connector not firmly attached?	Attach the spark plug connector firmly.
	Spark plug is wet?	Dry the spark plug.
	Spark plug connector is dirty?	Clean the spark plug connector.
	Excess fuel in the combustion chamber?	Set the choke lever to OPEN position and pull the recoil starter handle several times. If the engine does not start: remove spark plug and dry off electrode.
	Spark plug is soiled (tip is rusted)?	Clean or replace the spark plug.
	Primer has not been pressed at cold start?	Press the primer 7 times and restart. Follow the engine starting procedure.
	Primer has been pressed at warm start?	The engine (carburetor) has been flooded with fuel. Wait for few minutes to let the fuel drain before trying again.
	Gap between electrodes is too large?	Set gap between electrodes between 0.6-0.7 mm.
Incorrect fuel or incorrect mixture?	Stop the engine, empty tank, then fill up with the correct mixture of fuel to oil (50:1).	

Problem	Possible cause	Solution
Engine does not reach the maximum speed.	Air filter is soiled?	Clean the air filter.
	Incorrect fuel or incorrect mixture?	Stop the engine, empty tank, then fill up with the correct mixture of fuel to oil (50:1).
	Carburetor setting not correct?	Adjust the carburetor by dealer or authorized service centre.
Excessive vibration/ noise or smoke.	Incorrect fuel or incorrect mixture?	Stop the engine, empty tank, then fill up with the correct mixture of fuel to oil (50:1).
	Loosen fasteners on the machine?	Stop the engine and re-tighten the loosened fasteners.
Poor blowing/ vacuum performance.	Tubes/nozzles blocked?	Stop the engine and remove blockage.
	Debris collector bag is full?	Stop the engine and empty the debris collector bag.
	Shredding means (blades) are dull?	Have a qualified person replace the shredding means (blade).

Recycling and disposal

1. Old equipments are potentially recyclable and do not, therefore, belong in your household rubbish. You are requested to assist us and our contribution to saving resources and protecting the environment by handing in this equipment to an equipped collection centre (if there is one available).
2. Petrol, oil, used oil, a mixture of oil and petrol and objects soiled with oil e.g. cleaning cloths do not belong in the household rubbish. Dispose of oil-contaminated items in accordance with the local guidelines and hand them in at recycling centres.
3. The equipment comes in a package that protects it against damage during shipping. Keep the package until you are sure that all parts have been delivered and the equipment is operating properly. Recycle the package afterwards.

Guarantee

We take special care to select high quality materials and use manufacturing techniques that allow us to create products incorporating design and durability. This product has a manufacturer's guarantee of 2 years against manufacturing defects, from the date of purchase (if bought in store) or date of delivery (if bought online), at no additional cost for normal (non-professional or commercial) household use.

To make a claim under this guarantee, you must present your proof of purchase (such as a sales receipt, purchase invoice or other evidence admissible under applicable law), please keep your proof of purchase in a safe place. For this guarantee to apply, the product you purchased must be new, it will not apply to second hand or display products. Unless stated otherwise by applicable law, any replacement product issued under this guarantee will only be guaranteed until expiry of the original period guarantee period.

This guarantee covers product failures and malfunctions provided the product was used for the purpose for which it is intended and subject to installation, cleaning, care and maintenance in accordance with the information contained in these terms and conditions, in the user manual and standard practice, provided that standard practice does not conflict with the user manual.

This guarantee does not cover defects and damage caused by normal wear and tear or damage that could be the result of improper use, faulty installation or assembly, neglect, accident, misuse, or modification of the product. Unless stated otherwise by applicable law, this guarantee will not cover, in any case, ancillary costs (shipping, movement, costs of uninstalling and reinstalling, labour etc), or direct and indirect damage.

Rights under this guarantee are enforceable in the country in which you purchased this product. Guarantee related queries should be addressed to the store you purchased this product from.

The guarantee is in addition to and does not affect your statutory rights.






This guarantee does not affect your statutory rights.

Customer care and technical helpline

A better way to repair your tools

Kingfisher takes special care in creating high-quality garden power tools that are designed to last. But if a fault develops with your garden power tool and you need to claim under the guarantee, the Customer Care and Technical Helpline can support with technical assistance or if required, arrange a free courier collection from your home, assess your garden power tool for fault, repair it, and return it.

Deciding to repair your product rather than buying a replacement and adding to the mountain of waste is a more sustainable choice and you will be doing your bit for the environment.

How does it work?				
				
Step 1 Find your proof of purchase and get in touch with the Customer Care and Technical Helpline.	Step 2 Chat to them about the problem with your tool.	Step 3 They will provide technical and user advice or alternatively arrange a courier collection from your home*.	Step 4 The team will access and test and if necessary, repair your product back to full working order.	Step 5 Your repaired tool will be returned to you via courier within 5 to 7 working days.



* **NOTE:** Before collection, all fuel must be removed from petrol powered machines.

Get in touch

If you need help or more information, please contact the Customer Care and Technical Helpline:

UK: 0800 0789647

EIRE: 1800 932226

Opening hours are Monday – Friday, 8am-5pm

Availability of spare parts

Contact the customer service helpline for assistance or visit www.kingfishersparses.com

For assistance contact the customer services helpline:

UK: 0800 0789647 uk@kingfisherservice.com

EIRE: 1800 932226 eire@kingfisherservice.com

Further information about this product can also be found at:

www.kingfisher.com/products




(UK) DECLARATION OF CONFORMITY

Product		
<ul style="list-style-type: none"> • Petrol garden blower & vacuum • TTBVP25-2 • 25.4cm³, 0.75kW • 000001 - 999999 		
Name and address of the manufacturer or his authorised representative:		
Kingfisher International Products Limited 3 Sheldon Square London W2 6PX United Kingdom		
This declaration of conformity is issued under the sole responsibility of the manufacturer.		
Object of the declaration		
Product	Model	EAN
Petrol garden blower & vacuum	TTBVP25-2	5059340256351
The object of the declaration described above is in conformity with the relevant legislation:		
Supply of Machinery (Safety) Regulations 2008 as amended Noise Emission in the Environment by Equipment for Use Outdoors Regulations 2001 as amended The Non-Road Mobile Machinery (Type-Approval and Emission of Gaseous and Particulate Pollutants) Regulations 2018 as amended Electromagnetic Compatibility Regulations 2016 as amended The Restriction of the use of Certain Hazardous Substances in Electrical and Electronic Equipment Regulations 2012 as amended		
Measured Sound Power Level: 104.45 dB(A) Guaranteed Sound Power Level: 109 dB(A)		
References to the relevant designated standards used or references to the other technical specifications in relation to which conformity is declared:		
EN 15503:2009+A2:2015 BS EN ISO 14982:2009 EN ISO 3744:1995		
Authorised signatory and technical file holder: Kingfisher International Products Limited 3 Sheldon Square London W2 6PX United Kingdom		
		
David Awe Group Quality Director		On 2022-5-4

EU declaration of conformity

TTBVP25-2

 (EN) EU DECLARATION OF CONFORMITY (FR) DÉCLARATION UE DE CONFORMITÉ (PL) DEKLARACJA ZGODNOŚCI UE (RO) DECLARAȚIA DE CONFORMITATE UE (ES) DECLARACIÓN UE DE CONFORMIDAD (PT) DECLARAÇÃO DE CONFORMIDADE UE		
Product/Produit/Produkt/Produsul/Producto/Produto		
<ul style="list-style-type: none"> 25.4cc petrol garden blower & vacuum / Aspirateur souffleur broyeur thermique 25.4cc / Odkurzacz ogrodowy spalinowy z dmuchawą 25.4cm³/ Sulfantă-aspirator de grădină pe benzină, 25,4cc / Soplador/aspirador de gasolina para jardín de 25,4cc / Soprador e aspirador de jardim a gasolina de 25,4cc TTBVP25-2 25.4 cm³, 0.75 kW 000001 - 999999 		
Name and address of the manufacturer or his authorised representative: Nom et adresse du fabricant ou de son mandataire: Nazwa i adres producenta lub jego upoważnionego przedstawiciela: Denumirea și adresa producătorului sau a reprezentantului său autorizat: Nombre y dirección del fabricante o de su representante autorizado: Nome e endereço do fabricante ou do respetivo mandatário:		
Kingfisher International Products B.V., Rapenburgerstraat 175E, 1011 VM Amsterdam, The Netherlands		
This declaration of conformity is issued under the sole responsibility of the manufacturer. La présente déclaration de conformité est établie sous la seule responsabilité du fabricant. Niniejsza deklaracja zgodności wydana zostaje na wyłączną odpowiedzialność producenta. Prezenta declarație de conformitate este emisă pe răspunderea exclusivă a producătorului. La presente declaración de conformidad se expide bajo la exclusiva responsabilidad del fabricante. A presente declaração de conformidade é emitida sob a exclusiva responsabilidade do fabricante.		
Object of the declaration/Objet de la déclaration/Przedmiot deklaracji/Objetul declarației/Objeto de la declaración		
Product/Produit/Produkt/Produsul/Producto/Produto	Model/Modèle/Model/Modelul/Modelo/Modelo	EAN
25.4cc petrol garden blower & vacuum / Aspirateur souffleur broyeur thermique 25.4cc / Odkurzacz ogrodowy spalinowy z dmuchawą 25.4cm ³ / Sulfantă-aspirator de grădină pe benzină, 25,4cc / Soplador/aspirador de gasolina para jardín de 25,4cc / Soprador e aspirador de jardim a gasolina de 25,4cc	TTBVP25-2	5059340256351
The object of the declaration described above is in conformity with the relevant Union harmonisation legislation: L'objet de la déclaration décrit ci-dessus est conforme à la législation d'harmonisation de l'Union applicable: Wymieniony powyżej przedmiot niniejszej deklaracji jest zgodny z odpowiednimi wymaganiami unijnego prawodawstwa harmonizacyjnego: Objetul declarației descris mai sus este în conformitate cu legislația relevantă de armonizare a Uniunii: El objeto de la declaración descrita anteriormente es conforme con la legislación de armonización pertinente de la Unión: O objeto da declaração acima descrito está em conformidade com a legislação de harmonização da União aplicável:		
2006/42/EC as amended Machinery Directive 2014/30/EU as amended Directive Electromagnetic compatibility 2000/14/EC as amended Outdoor Noise Directive 2016/1628/EU Regulation Gaseous and Particulate Pollutant Emission Limits 2011/65/EU as amended Directive Restriction of the use of certain hazardous substances in electrical and electronic equipment Directive 2006/42/CE relative aux machines 2014/30 / UE telle que modifiée Directive Compatibilități electromagnetice Directive 2000/14/CE relative aux émissions sonores extérieures Règlement (UE) 2016/1628 relatif aux exigences concernant les limites d'émission pour les gaz polluants et les particules polluantes Directive 2011/65/UE relative à la limitation de certaines substances dangereuses dans les équipements électriques et électroniques 2006/42/WE w zmieniionej dyrektywie maszynowej 2014/30 / UE ze zmianami Dyrektywa Kompatybilność elektromagnetyczna 2000/14/WE w zmieniionej dyrektywie w sprawie hałasu na zewnątrz 2016/1628/UE limity emisji zanieczyszczeń gazowych i cząstek stałych 2011/65 / UE ze zmianami Dyrektywa Ograniczenie stosowania niektórych niebezpiecznych substancji w sprzęcie elektrycznym i elektronicznym 2006/42/CE, astfel a fost modificată Directiva privind echipamentele 2014/30/UE, astfel a fost modificată Directiva privind compatibilitatea electromagnetica 2000/14/CE, astfel a fost modificată Directiva privind zgomotul în aer liber 2016/1628/UE Regulamentul privind emisiile de poluanți gazoși și de particule poluante 2011/65/UE, astfel a fost modificată Directiva privind limitarea utilizării anumitor substanțe periculoase în echipamentele electrice și electronice		

<p>Directiva sobre maquinaria modificada 2006/42/CE 2014/30/UE modificada Directiva Compatibilidad electromagnética 2000/14/CE modificada Directiva sobre ruido al aire libre 2016/1628/Reglamento de la UE Límites de emisiones de contaminantes gaseosos y partículas 2011/65/UE modificada Directiva Restricción del uso de determinadas sustancias peligrosas en equipos eléctricos y electrónicos 2006/42/CE como directiva de máquinas alteradas 2014/30/UE como alteração da compatibilidade eletromagnética 2000/14/CE como directiva de ruido exterior alterada Limites de emissão de poluentes gasosos e de poluentes de partículas 2016/1628/REGULAMENTO da UE 2011/65/UE como restrição diretiva alterada da utilização de certas substâncias perigosas em equipamentos elétricos e eletrônicos</p>	
<p>Measured Sound Power Level Le niveau de puissance acoustique mesuré Zmierzony poziom mocy akustycznej Nivel de putere acustică măsurat Nivel de potencia sonora medido Nivel de potência sonora medido : 104.45 dB(A) Engine Model Modèle de moteur Model silnika Modelul motorului Modelo de motor Modelo de motor : 1E34F-6</p>	<p>Guaranteed Sound Power Level Le niveau de puissance acoustique garant Gwarantowany poziom mocy akustycznej Nivel de putere acustică garantat Nivel de potencia sonora garantizado Nivel de potência sonora garantido : 109 dB(A)</p>
<p>References to the relevant harmonised standards used or references to the other technical specifications in relation to which conformity is declared: Références des normes harmonisées pertinentes appliquées, y compris la date de celles-ci, ou des autres spécifications techniques, y compris la date de celles-ci, par rapport auxquelles la conformité est déclarée: Odwołania do odnośnych norm zharmonizowanych, które zastosowano, wraz z datą normy, lub do innych specyfikacji technicznych, wraz z datą specyfikacji, w odniesieniu do których deklarowana jest zgodność: Trimiteri la standardele armonizate relevante folosite, inclusiv data standardului, sau trimiteri la celelalte specificații tehnice, inclusiv data specificațiilor, în legătură cu care se declară conformitatea: Referencias a las normas armonizadas pertinentes utilizadas, incluidas las fechas de las normas, o referencias a las otras especificaciones técnicas, incluidas las fechas de las especificaciones, respecto a las cuales se declara la conformidad: Referências às normas harmonizadas aplicáveis utilizadas, incluindo a data da norma, ou às outras especificações técnicas, incluindo a data da especificação, em relação às quais é declarada a conformidade:</p>	
<p>EN 15503:2009 / A2:2015 EN ISO 14982:2009 EN ISO 3744:1995</p>	
<p>Authorised signatory and technical file holder/signataire et responsable de la documentation technique autorisé/ podmiot uprawniony do wystawienia i adres przechowujący dokumentację techniczną/semnatar autorizat și deținător al dosarului tehnic/firmante autorizado y titular del expediente técnico/ signatário autorizado e detentor da ficha técnica</p> <p>Kingfisher International Products B.V., Rapenburgerstraat 175E, 1011 VM Amsterdam, The Netherlands</p> 	
<p>David Awe Group Quality Director</p>	<p>: 2022-4-20</p>

TITAN

**Manufacturer, Fabricant, Prodecnt,
Producător, Fabricante:**

UK Manufacturer:

Kingfisher International Products Limited
3 Sheldon Square London W2 6PX
United Kingdom

EU Manufacturer:

Kingfisher International Products B.V.
Rapenburgerstraat 175E 1011 VM Amsterdam
The Netherlands



www.diy.com
www.screwfix.com
www.screwfix.ie

To view instruction manuals online,
visit www.kingfisher.com/products